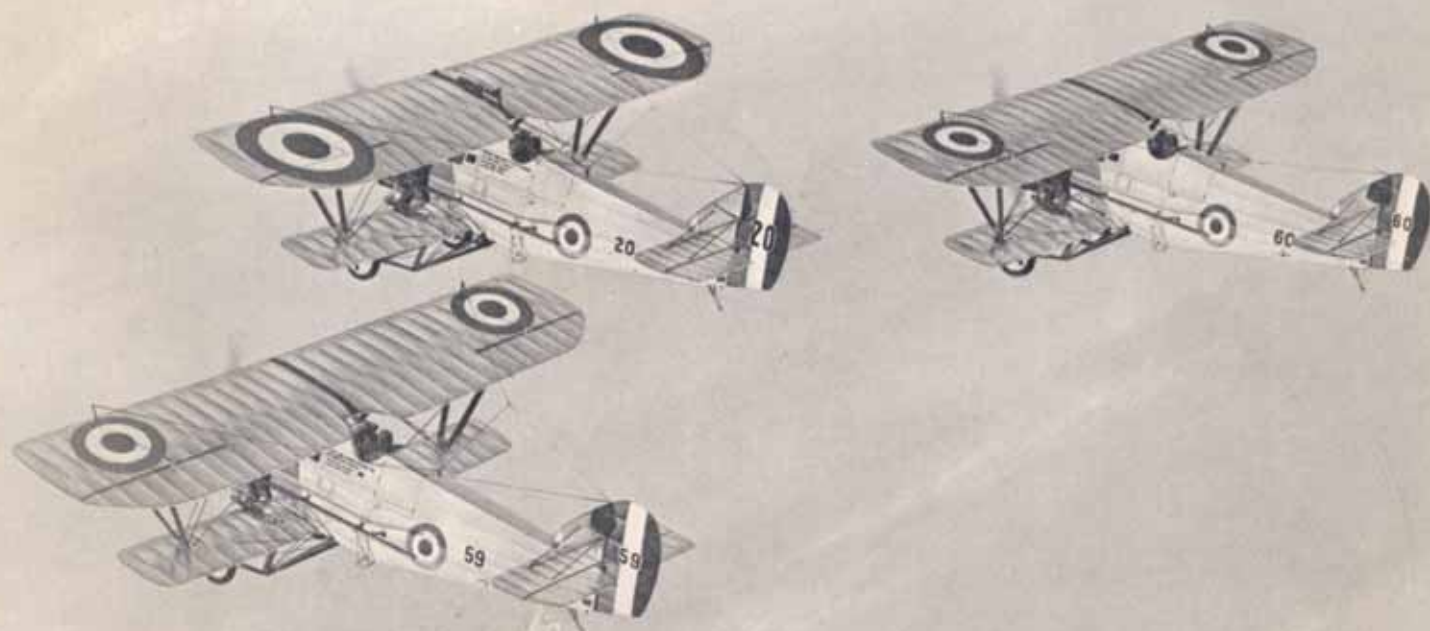


The *CAHS* Journal



published by the
**CANADIAN
AVIATION
HISTORICAL
SOCIETY**

VOL. 15 NO.1 SPRING 77



Armstrong-Whitworth
SISKINS
painting by R.W. Bradford

The CAHS Journal



Published quarterly by the
Canadian Aviation Historical Society

National Headquarters
P.O. Box 224, Willowdale, Ontario M2N 5S8

Copyright 1977 CAHS Inc.
Library code ISSN 007-7771

CAHS OFFICERS

	PRESIDENT	F. W. Hotson
	VICE-PRESIDENT	H. R. Johns
	SECRETARY	R. Johnson
	TREASURER	J. H. Ham
MEMBERSHIP	SECRETARY	S. D. Benner
	DIRECTORS	D. E. Anderson
		R. H. Baglow
		R. G. Batch
		C. Catalano
		P. D. Jerden
		G. Stewart
		K. Reed
		W. J. Wheeler
		L. Wilkinson
		R. W. Wylie

CAHS JOURNAL STAFF

	EDITOR:	W. J. Wheeler
		4 Rougecrest Dr., Markham, Ont. L3P 3B6
	JOURNAL PRODUCTION	F. W. Hotson
		D. G. MacRitchie
	ASSOCIATE EDITORS	J. R. Ellis
		G. A. Fuller
		H. A. Halliday
		F. W. Hotson
		D. M. Swift
	GRAPHICS COMMITTEE	T. Bjarnason
		J. C. Bruce
		J. W. Phipps

CHAPTER OTTAWA: R. H. Baglow, P. O. Box 6, R. R. 3, Carp, Ont., K0A 1L0. Tel. 839-5309
ADDRESSES: TORONTO: C. Catalano, 93 Newlands Avenue, Scarborough, Ont., M1L 1S1. Tel. 691-4947
 VANCOUVER: K. Reed, P. O. Box 48702, Vancouver, B. C., V7X 1A6

The CAHS is incorporated as a non-profit organization under a federal charter.

contents, spring 77

VOL. 15 NO. 1

Armstrong Whitworth Siskins	R. W. Bradford	Cover
Siskin Pilot	W/C Fowler M. Gobeil	3
Honeymoon and Wedding: Airborne . .	Ray H. Crone	10
In Memoriam - Murton A. Seymour . .	F. W. Hotson	15
Western Canada Aviation Museum . . .	L. F. Pettipas	18
Canadian Air Services Co.	J. R. Ellis & M. L. McIntyre	22
The Canadian Aviation Corps . .	W/C F. H. Hitchins	28
Book Reviews		31
Canadair Starfighter CF-104	N. J. Merrin	Rear Cover

PHOTO PAGES

Siskin Pilot - Plate I	5
Siskin Pilot - Plate II	7
Honeymoon and Wedding: Airborne - Plate I	11
Honeymoon and Wedding: Airborne - Plate II	13
J. Wyborn Album: Beauchene Revisited - Plate I .	16
J. Wyborn Album: Beauchene Revisited - Plate II .	17
Western Canada Aviation Museum	19
Canadian Air Services Co. - Plate I	23
Canadian Air Services Co. - Plate II	25
Canadian Air Services Co. - Plate III	27

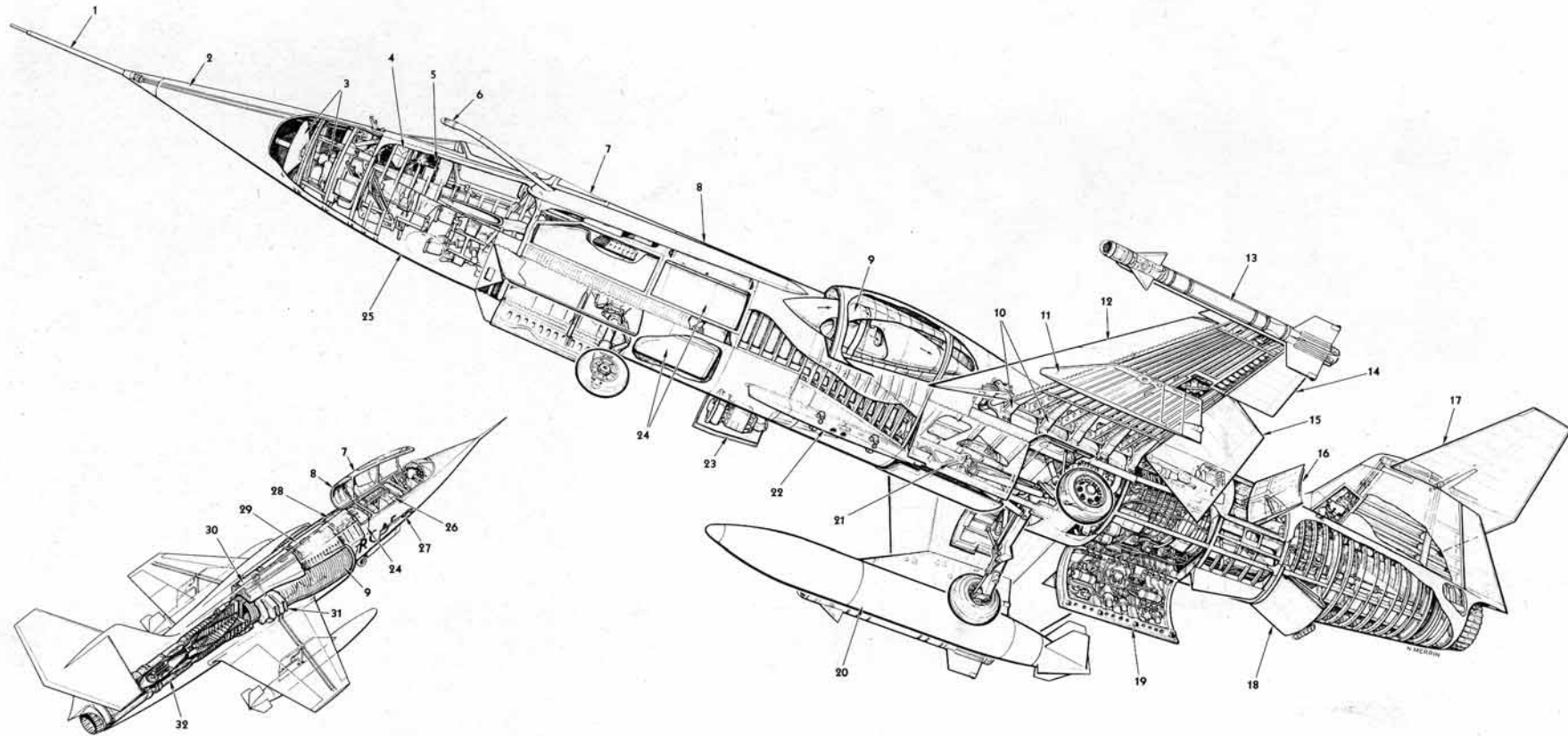
This JOURNAL is the official publication of the Canadian Aviation Historical Society. All articles published with authors' names are the opinions of the authors and do not necessarily reflect the policy of the CAHS. All work on this publication is voluntary and no payment can be made for published material.

Members wishing to submit or undertake articles are requested to contact the Editor at his address, given left. All manuscripts for JOURNAL publication should be typed originals (not carbon copies or photocopies), double spaced, using one side only of paper. All material will be returned to owners following its appearance in the JOURNAL.

Membership in the CAHS is for one full calendar year commencing 1st January. A member joining at any time in the year up to 31st December will receive all quarterly JOURNALS for the calendar year of enrolment. Annual membership fees of \$11.00 will be due for renewal on 1st January of each year.

All material published in this JOURNAL is copyright CAHS 1977 and may not be reproduced without written permission.

CF-104 GENERAL ARRANGEMENT



- | | | |
|--|--|---|
| 1 SUPERSONIC PITOT/STATIC TUBE | 12 LEADING EDGE FLAPS | 23 EMERGENCY POWER RAM-AIR TURBINE UNIT |
| 2 DIELECTRIC NOSE CONE | 13 SIDEWINDER 1-A AIR-TO-AIR HEAT-SEEKING MISSILE | 24 FUEL TANK IN GUN BAY, AMMUNITION AND EJECTOR CASE COMPARTMENT (NOT FITTED WHEN M61 GUN IS INSTALLED) |
| 3 RADAR EQUIPMENT | 14AILERONS | 25 PILOT'S COMPARTMENT SERVICING PANEL |
| 4 OPTICAL GUNSIGHT AND CAMERA INSTALLATION | 15 TRAILING EDGE FLAPS | 26 ELECTRONIC CONTAINERS |
| 5 INSTRUMENT PANELS | 16 SPEED BRAKES | 27 LIQUID OXYGEN CONVERTER |
| 6 MID-AIR REFUELLING PROBE (SUPPLIED AS CONVERSION KIT) | 17 HORIZONTAL STABILIZER | 28 AUXILIARY FUEL TANK |
| 7 ELECTRONIC COMPARTMENT COVER | 18 DRAG CHUTE COMPARTMENT | 29 FORWARD MAIN FUEL TANK |
| 8 AMMUNITION COMPARTMENT COVER | 19 MAIN HYDRAULIC PANEL | 30 AFT MAIN FUEL TANK |
| 9 ENGINE AIR INTAKES | 20 DROPPABLE FUEL TANK, CAN ALSO BE FITTED AT WING TIPS (LEFT HAND TANK OMITTED FOR CLARITY) | 31 LEFT AND RIGHT HAND SADDLE TANKS |
| 10 WING ATTACHMENT POINTS | 21 KEELSON ASSEMBLY, SUPPORTING MAIN LANDING GEAR | 32 J79-GE-7 TURBO-JET ENGINE WITH AFTERBURNER |
| 11 WING PYLONS FOR DROPPABLE FUEL TANKS OR EXTERNAL STORES | 22 CENTRE-LINE EXTERNAL STORES SHACKLE | |

DRAWN BY N. MERRIN