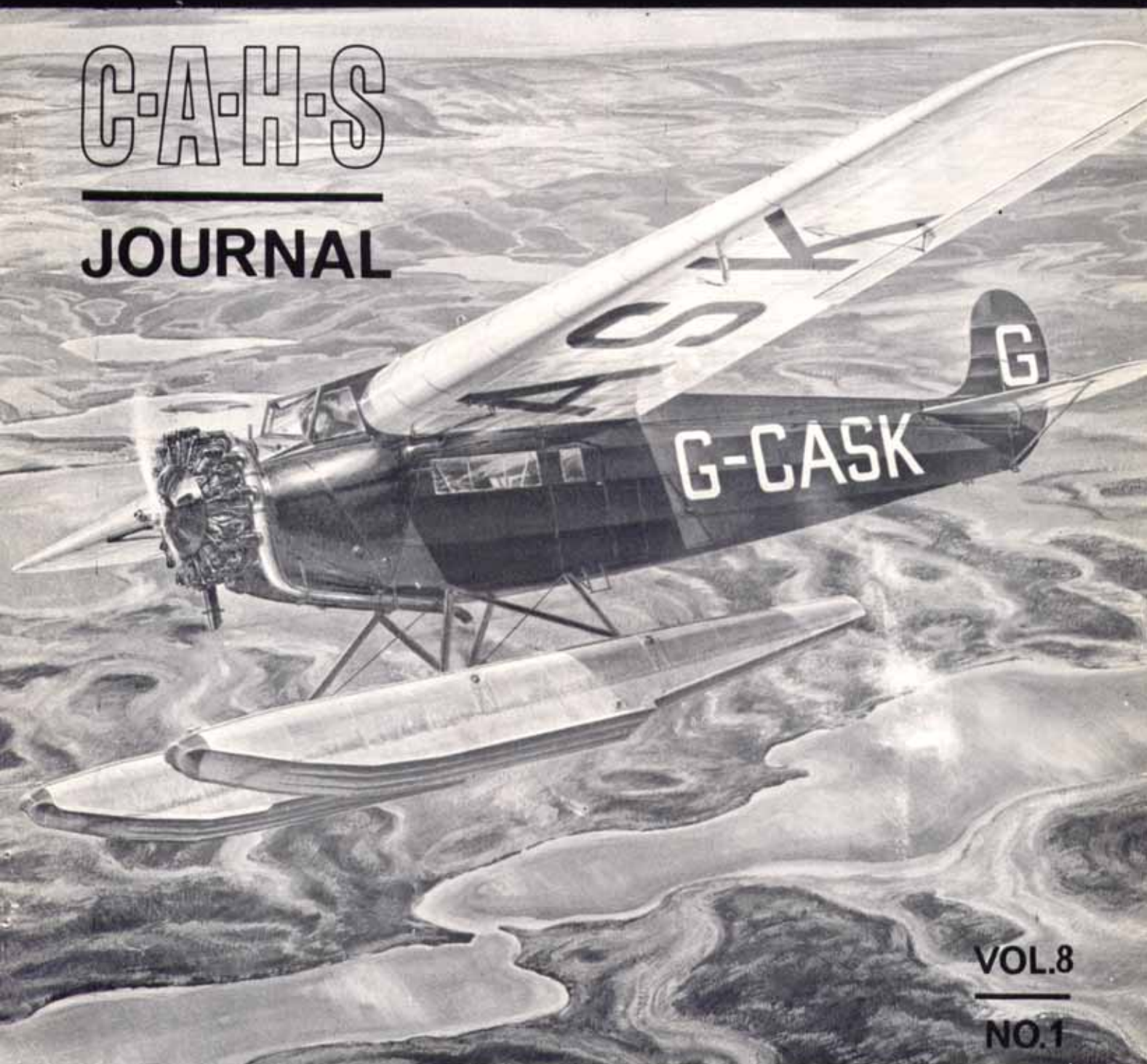




**THE**

**C-A-H-S**

**JOURNAL**



**VOL.8**

**NO.1**

***PUBLISHED BY THE CANADIAN AVIATION HISTORICAL SOCIETY***

***SPRING, 1970***

**THE CANADIAN AVIATION HISTORICAL SOCIETY**

published quarterly

volume eight

number one

Spring 1970

This JOURNAL is the official publication of the Canadian Aviation Historical Society. All articles published with authors' names are the opinions of the authors and do not necessarily reflect the policy of the CAHS. All work on this publication is voluntary and no payment can be made for published material.

Membership in the CAHS is for one full calendar year commencing January 1st. A member joining at any time in the year up to December 31st will receive all quarterly JOURNALS for the calendar year in which he joins. Annual membership fees of \$5.00 will be due for renewal on January 1st of each year.

National Headquarters: P.O. Box 224, WILLOWDALE, ONTARIO.

CAHS OFFICERS

PRESIDENT  
VICE PRESIDENT  
SECRETARY  
TREASURER  
MEMBERSHIP SECRETARY

F.W. Hotson  
C.D. Long  
R.G. Halford  
J.H. Ham  
S.D. Benner

DIRECTORS

C. Catalano  
E.P. Gardiner  
J.A. Griffin  
P.M. Howard  
K.M. Molson  
G. Neal  
W.R. Richardson  
D.M. Swift  
C.J. Toms  
W.J. Wheeler

CAHS JOURNAL STAFF

EDITOR

W.J. Wheeler,  
4 Rougecrest Drive,  
Markham, Ontario.

ASSISTANT EDITOR

J.R. Ellis

Technical Assistant  
Production Assistant

Mrs. J.R. Ellis  
D. MacRitchie

ASSOCIATE EDITORS

Features  
World War I  
World War II  
Pioneer Aviation

A. Martin  
H.E. Creagen  
H.A. Halliday  
G. Fuller  
D.M. Swift

GRAPHICS COMMITTEE

F.C. Taylor  
P. Mossman

E. Harrison  
J. Phipps

CHAPTER ADDRESSES

TORONTO - C. Catalano,  
93 Newlands Avenue,  
Scarborough, Ont.  
Tel: 691-4947

MONTREAL - W.R. Richardson,  
82 Pardo Avenue  
Pointe Claire, P.Q.  
Tel: 697-2109

OTTAWA - E.P. Gardiner,  
Fallowfield Road, R.R. #1,  
Bells Corners, Ont.  
Tel: 828-6541

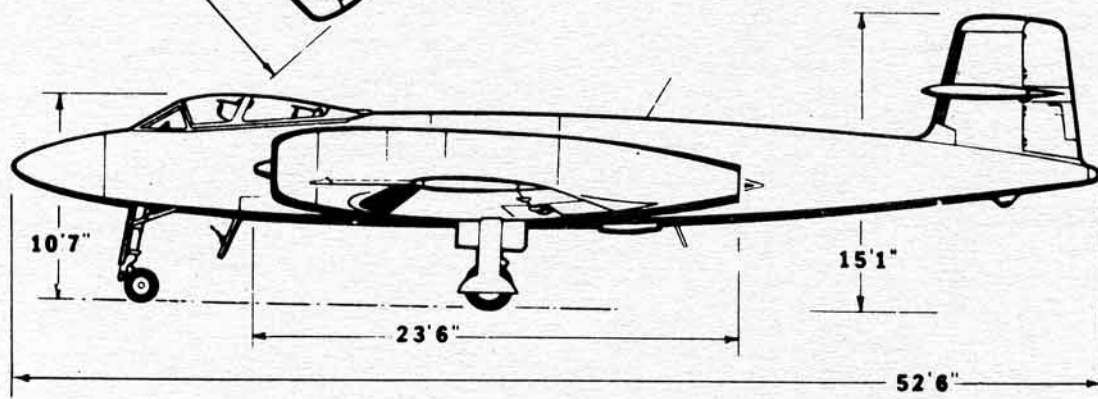
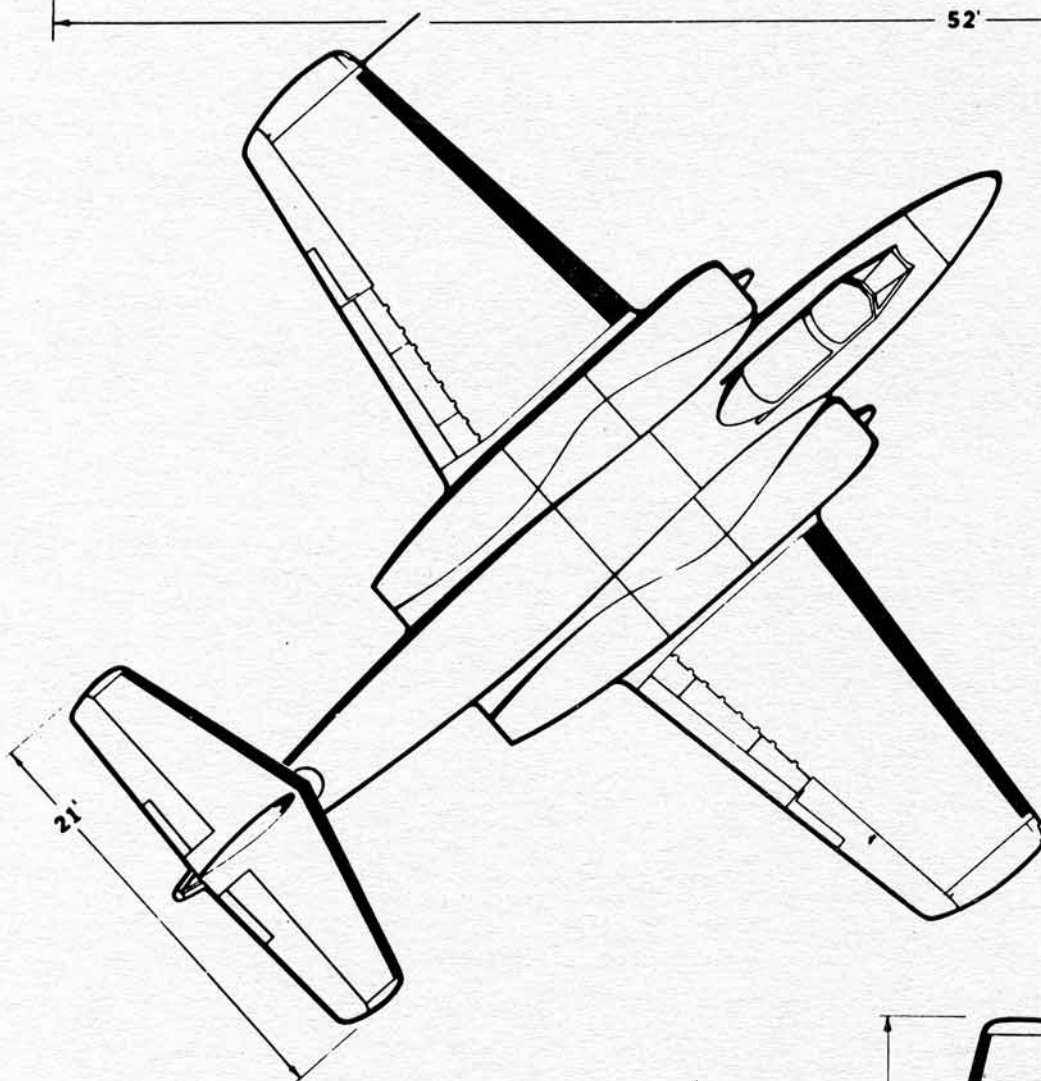
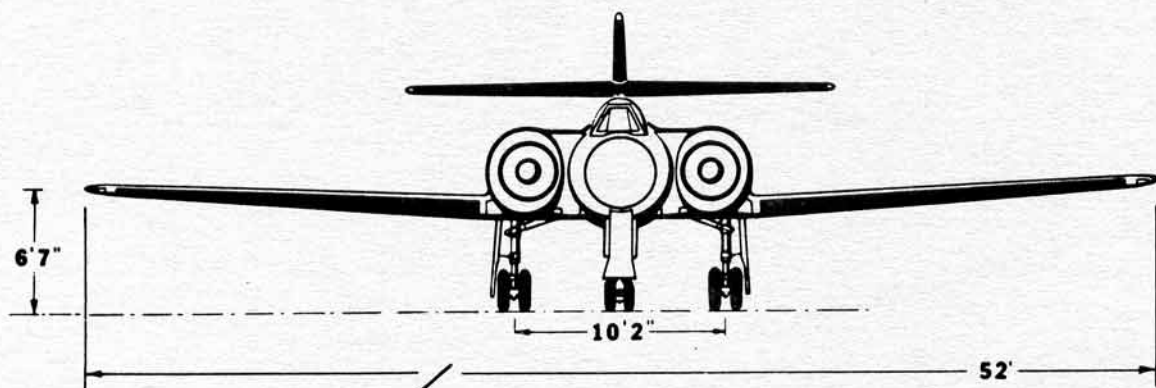
The CAHS is officially incorporated as a non-profit organization, under a charter from the Federal Government.

**Contents**

The Fokker Super Universal, G-CASK, Over the Barrens	R.W. Bradford	Cover	President's Message	F.W. Hotson	30
Canadian Bomber Pilot	P. Robertson	3	Editorial	W.J. Wheeler	30
First Through the Ice	K.M. Molson	6	Chapter News		31
The Keystone Puffer	J.A. Griffin	9	Avro Jetliner Drawing	via K. Barlow Rear Cover	
The Blitz of 'BEP	F.H. Ellis	12	<u>PHOTO PAGES</u>		
The Flying Flea	S. Graham	14	W.J. Dalziel (Bomber Pilot)		5
Aerial Commuter	S. Macdonald	15	First Through the Ice		7
T. Lamb Obituary	J. McManus	16	Aircruiser CF-BTW		8
B.C. Airmail 1919	R.K. Malott	18	Blitz of 'BEP and Flying Flea		13
W.I. Riddell Obituary	F.C. Taylor	21	Relics and Rarities		17
Across the Barrens	C.H. Dickins	22	B.C. Airmail		20
Three Days to Go	S.N. Knight	25	Across the Barrens		24
Letters to the Editor		28	Vintage Biplane		27

Members wishing to submit or undertake articles are requested to contact the Editor at his address given above. All manuscripts for JOURNAL publication should be typed (if possible), double-spaced, with no more than 55 characters to a line, using one side of each sheet only. All material will be returned to owners immediately upon its appearance in the JOURNAL.

Printed by Stat Copy Service and Printing, Toronto, Ontario.



AVRO CF - 100